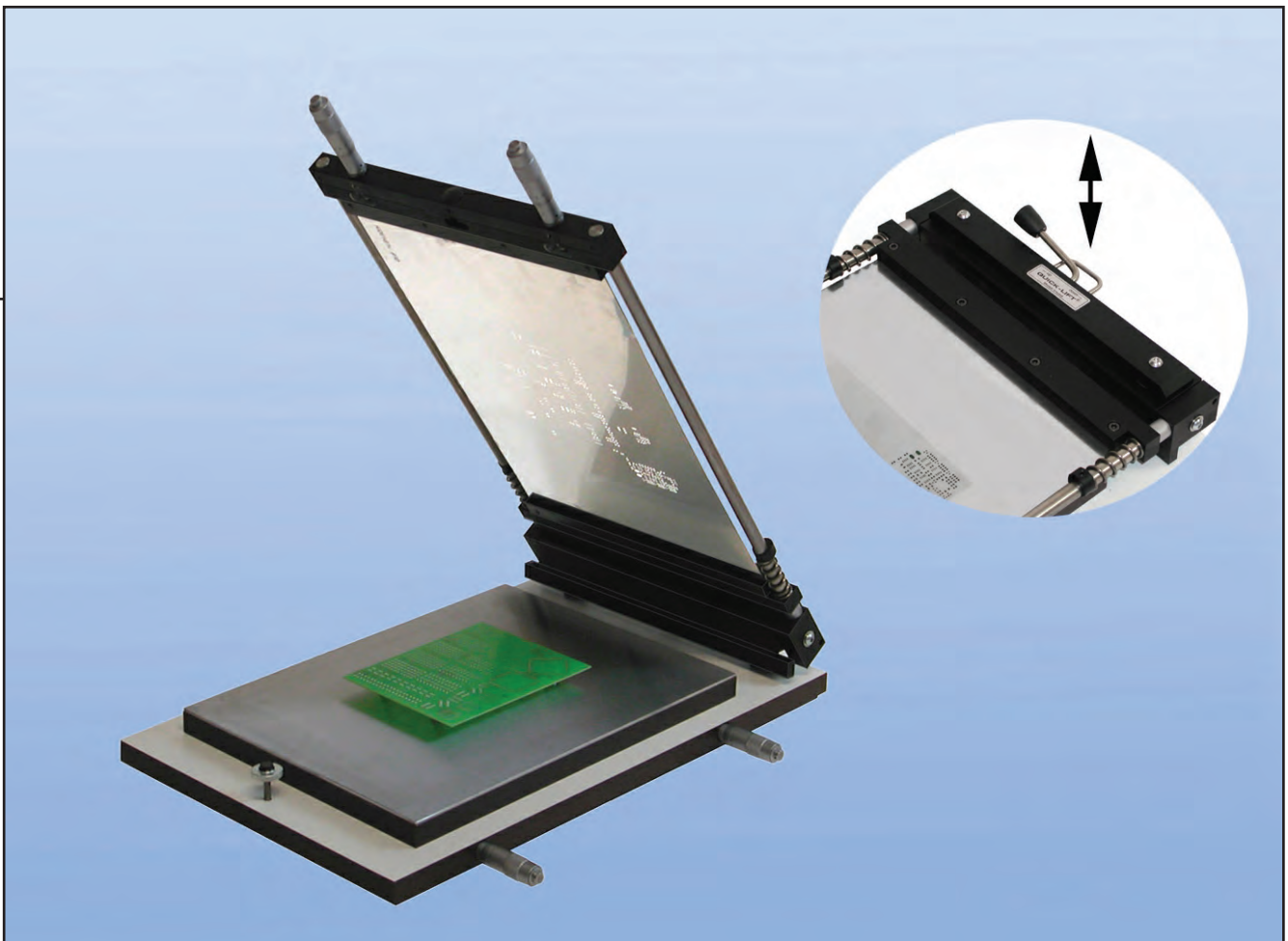


TSD 360 U

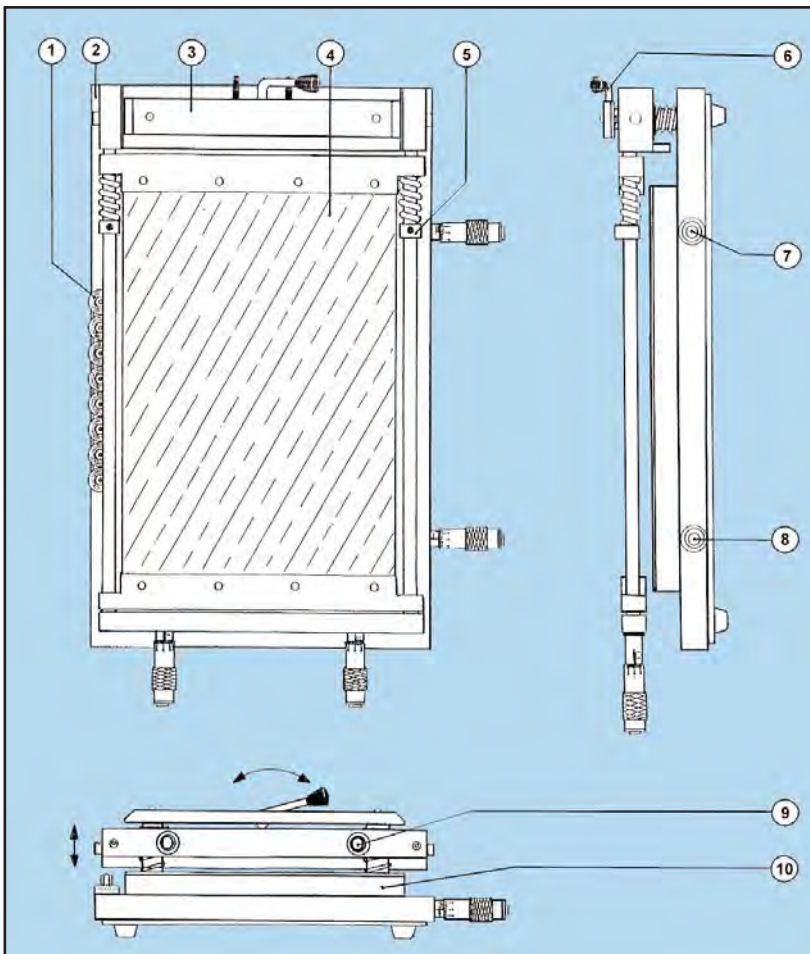
Parallel lifting after printing



- High quality printing and parallel lifting after printing
- Positioning of PCB's is simple but effective
- Stencils do not need mounting holes
- You may use the stencil printer for single as well as double sided PCB's even if there are already components on one side
- Fixing a stencil is fast and easy, no heating of the stencil is required

Stencilprinter

For pastes and adhesives

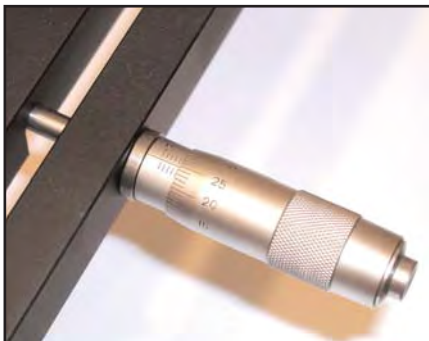


System description SD/ 360/U

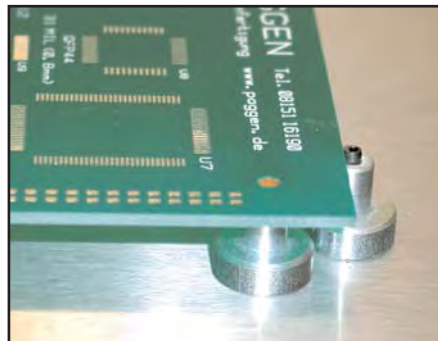
- 1 Magnetic placeholder storage
- 2 Base plate
- 3 Stencil frame
- 4 Stencil
- 5 Stencil size adjustment
- 6 Top height adjustment of stencil
- 7 X-axis alignment and top rotation of table
- 8 X-axis alignment and bottom rotation of table
- 9 Y-axis alignment and stencil spanner
- 10 PCB table

Delivery includes following accessories:

- 6 magnetic placeholders with central pin
- 2 magnetic placeholders w/o pin to stabilise thin PCBs from underneath
- 1 squeegee for paste/adhesive application
- 1 spanning-tools
- 1 transparent positioning device with magnetic fixing
- 1 water-soluble marker pen



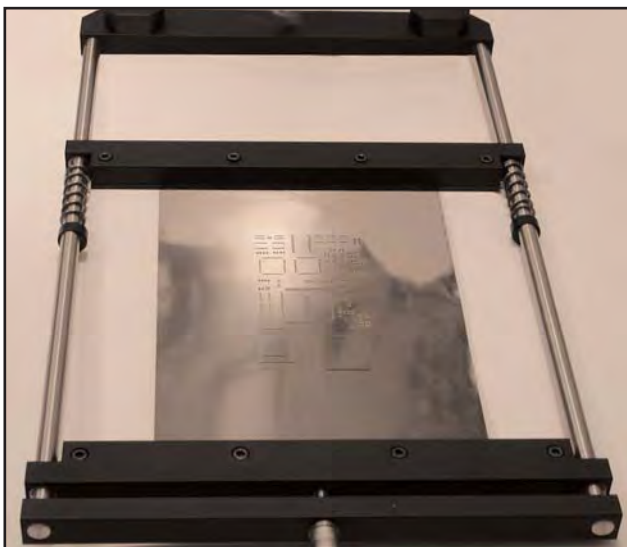
Accurate alignment by using micrometer



Positioning of PCB's is simple but effective.



Fixing a stencil is fast and easy.



Stencils do not need mounting holes

You may use the stencil printer for single as well as double sided PCB's even if there are already components on one side.

Technical Data:

Max. stencil size	265 x 365 mm
Max. PCB size	265 x 345 mm
Dimensions (W X L X H)	380 x 600 x 125 mm
Weight	14 kg
Order-No.	3TSD360/U